

TLI-2050

TECHNICAL

Materials of Optics	PC
Materials of Housing	Aluminium
Light Source	CREE
Color Temperature	2700K/3000K/5500K
Luminous Efficiency@4000K	80Lm/W
CRI	≥80
Beam Angle(°)	36°
UGR	-
Lifetime(hr)	72,000H
Product Finishing	White/Black/Silver

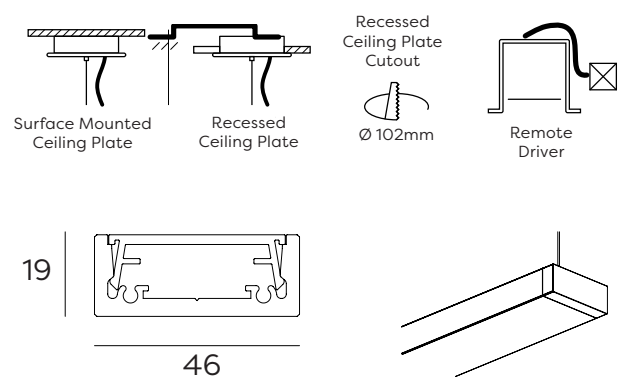
OPTICS



FEATURES & BENEFITS

CCT Selection DIP Switch	3CCT
LED Driver	Built-in
Dimming Option	Non Dim/DALI/DSI/Switch Dim
Power Factor (PF)	≥0.9
Certification	SAA/RoHS/CE/CB

DIMENSION



DATA SHEET

CODE	INPUT VOLTAGE	DIMENSION(mm)	CURRENT	LUMEN(±5%)
TLI-2050-2500	220~240V AC	2500	400mA	1995 lm
TLI-2050-3200	220~240V AC	3200	450mA	2222 lm